

**Induction - Domino**  
**1-zones 38 cm**  
**Glass**

EAN 5414425037728



### Cooking Zones

- 1-zones
- Center : 2300/3200 W - 360 mm

### Functions & features

- |                             |  |
|-----------------------------|--|
| ▪ Grill function            | -  |
| ▪ Automatic pan recognition | -  |
| ▪ Keep warm function (°C)   | 42°C, 70°C, 94°C                                 |
| ▪ Residual heat indication  | ▪  |
| ▪ Childproof lock           | ▪  |
| ▪ Pause function            | ▪  |
| ▪ Timers                    | Timer per Zone, Minute minder, Automatic cooking |

### Design

- |                      |                      |
|----------------------|----------------------|
| ▪ Control method     | Slider touch control |
| ▪ Info display color | Red                  |
| ▪ Glass edge         | Bevelled             |
| ▪ Mounting method    | Surface, Flushline   |

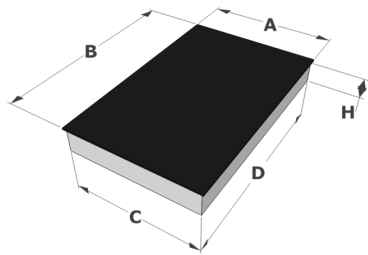
### Dimensions

- |                                   |                 |
|-----------------------------------|-----------------|
| ▪ Product dimensions (WxDxH) (mm) | 380 x 520 x 127 |
| ▪ Cut-out worktop (WxD) (mm)      | 370 x 490       |

### Technical specifications

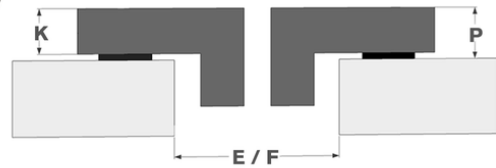
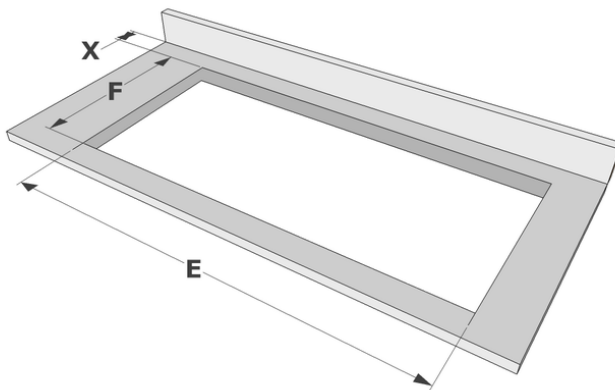
- |                         |               |
|-------------------------|---------------|
| ▪ Maximum power         | 3200          |
| ▪ Electrical connection | 220-240V 1L+N |
| ▪ Frequency (Hz)        | 50-60         |
| ▪ Net weight (kg)       | 8,6           |

Dimensions



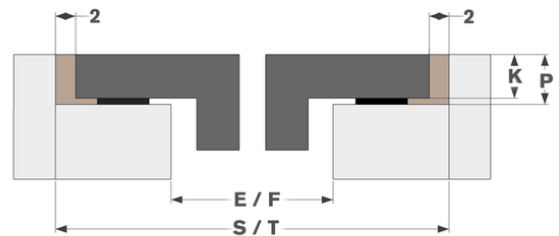
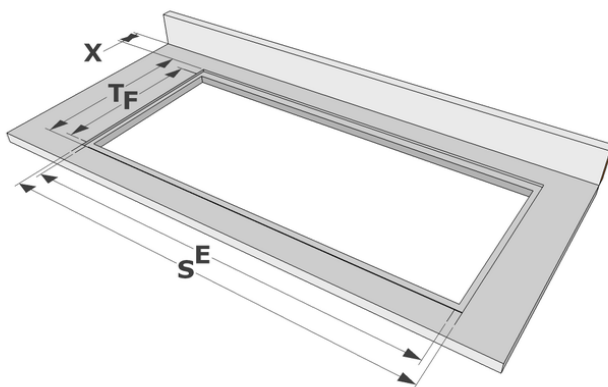
	A	B	C	D	H
mm	380	520	370	490	127

Surface



	E	F	K	P	X
mm	370	490	6	8	50

Flushline



	E	F	S	T	K	P	X
mm	370	490	384	524	6	8	50